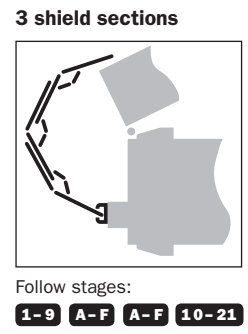
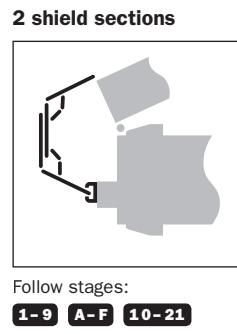
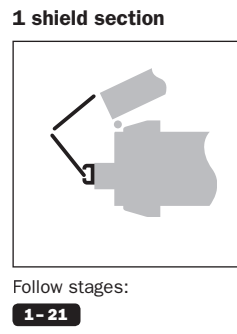


Most doors can be protected with a single Finger Protector® shield section, however the unique patented piggy-back design allows the shield section to be extended safely to fit any door size. Open the door as far as it will go to measure the door thickness and determine the maximum opening angle. Use the table on the right to see if the shield section needs to be extended. If you would prefer you can restrict the door opening angle with a door stop etc. as an alternative to extending the shield.

**Maximum door opening angle**

Door thickness	up to 90°	up to 135°	up to 180°
	up to 33mm	1 shield	1 shield
up to 45mm	1 shield	1 shield	2 shields
up to 60mm	1 shield	2 shields	2 shields
up to 100mm	2 shields	3 shields	3 shields

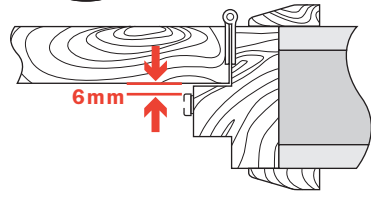
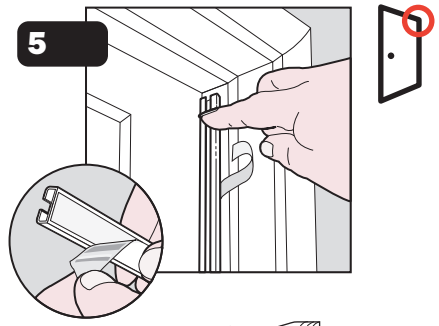
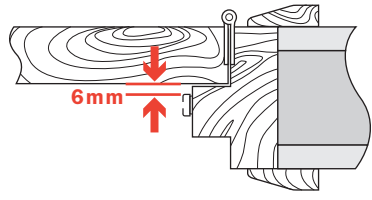
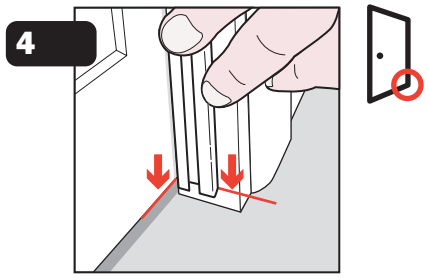
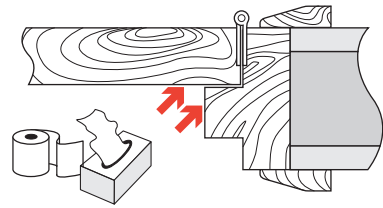
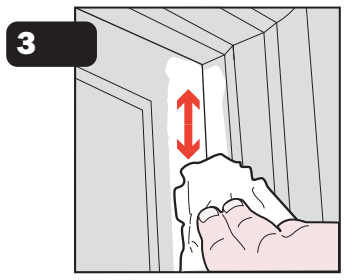
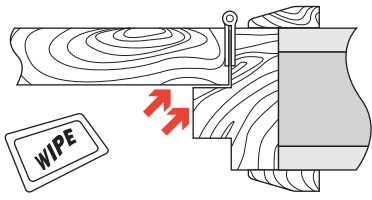
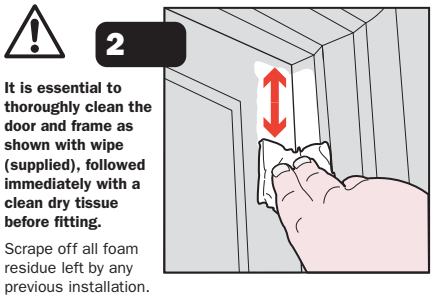


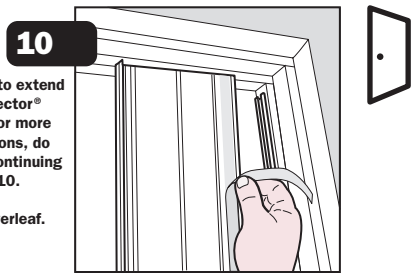
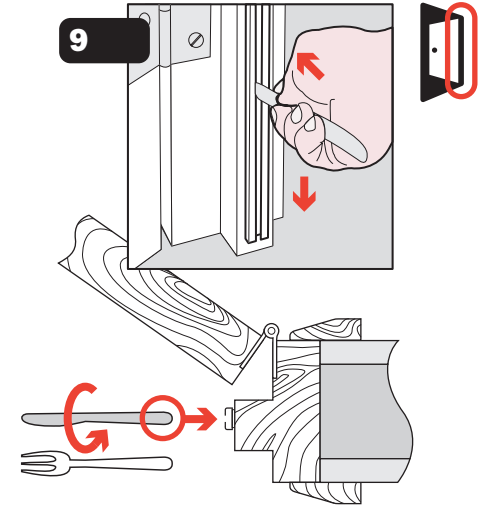
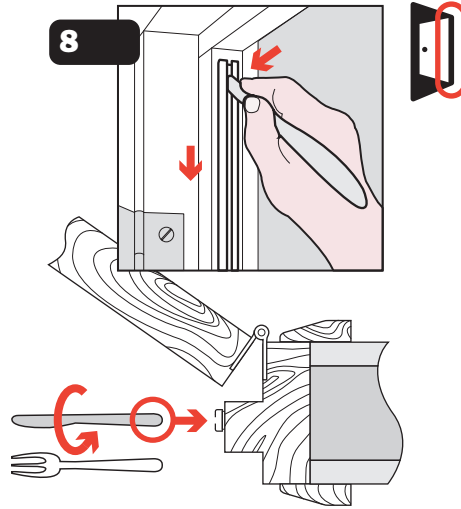
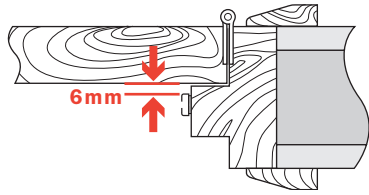
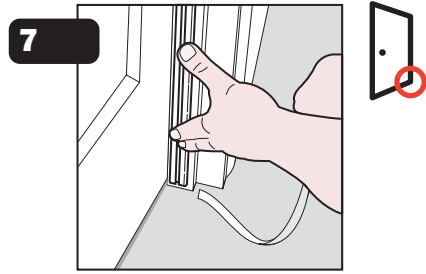
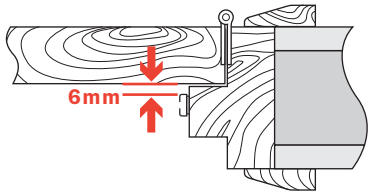
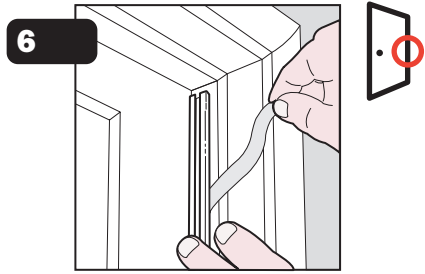
# Finger Protector® (HC) Standard Hinge Cavity Fitting Instructions



Please contact the **Safety Assured Advice Line on 0870 060 1715** if you require instructions or accessories for other door types e.g. PVCu, Crittall, glass, pivot, bi-fold etc.

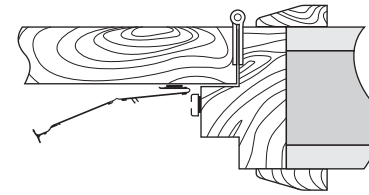
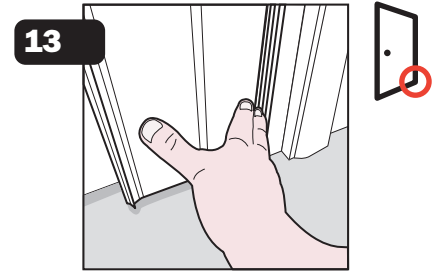
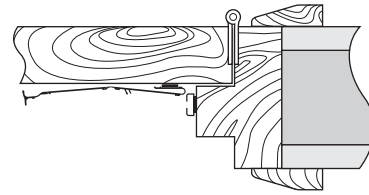
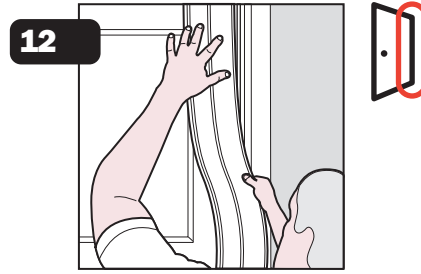
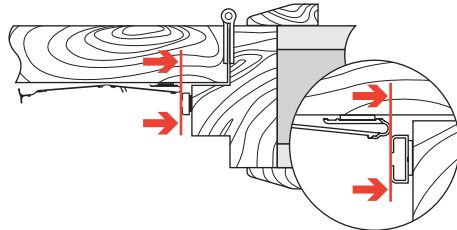
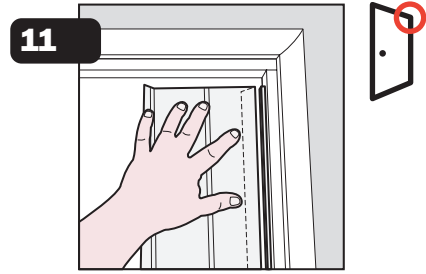
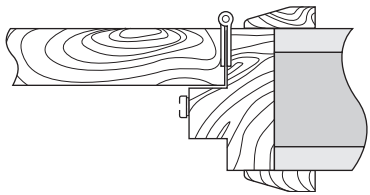
Please follow these instructions carefully. Failure to do so may adversely affect the performance of your Finger Protector®. Liability will not be accepted due to failure to fit the device strictly in accordance with the meaning of these instructions. YOUR STATUTORY RIGHTS ARE NOT AFFECTED.

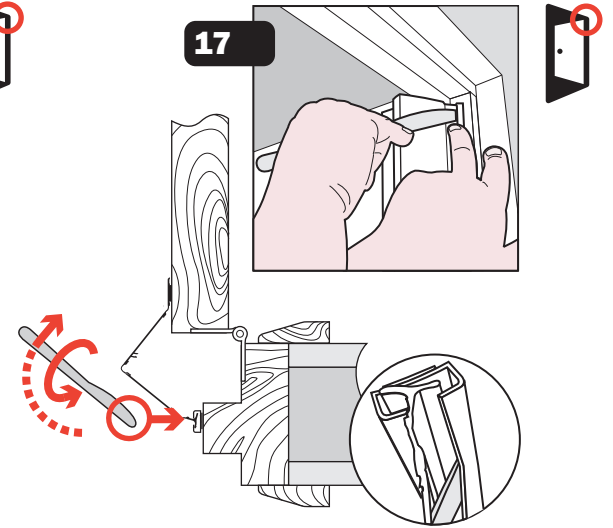
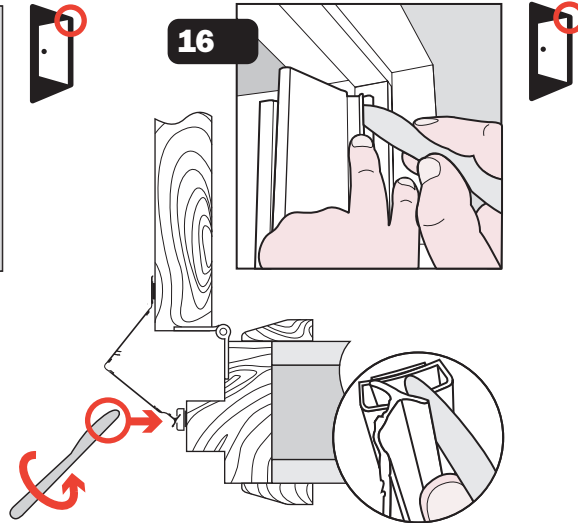
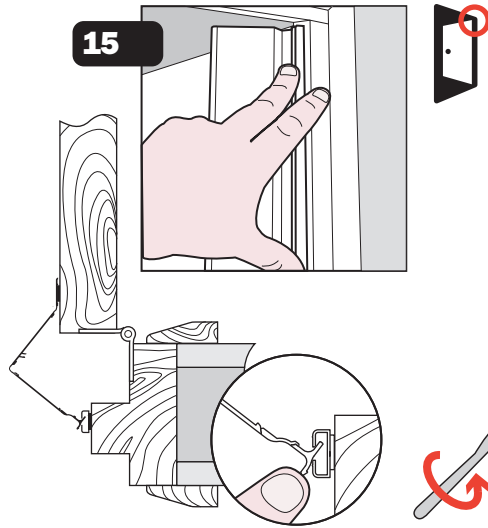
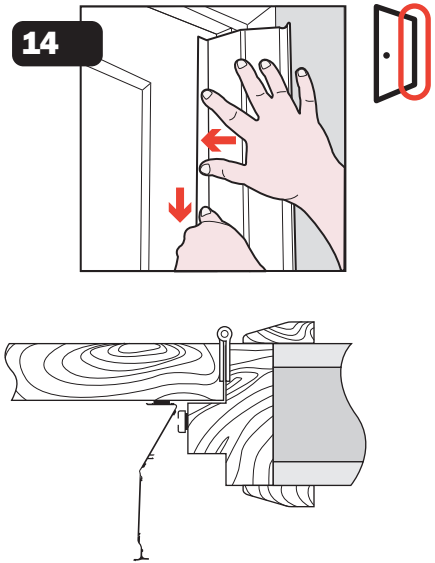




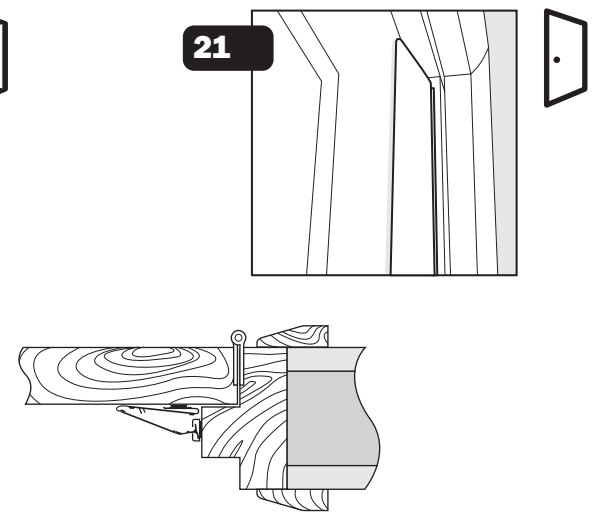
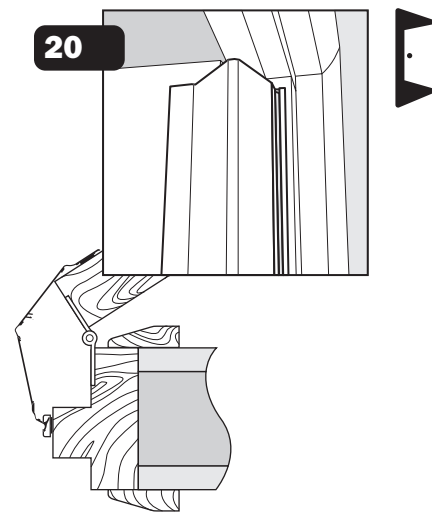
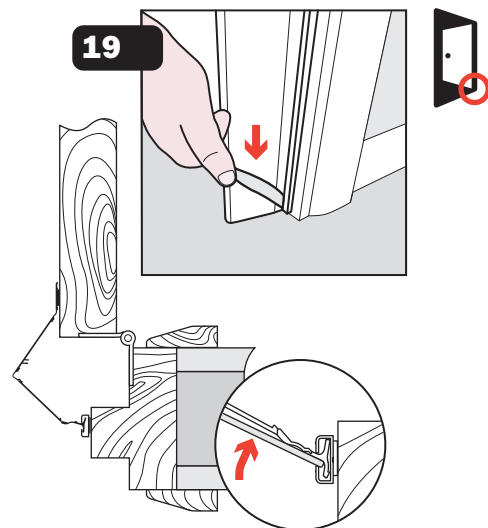
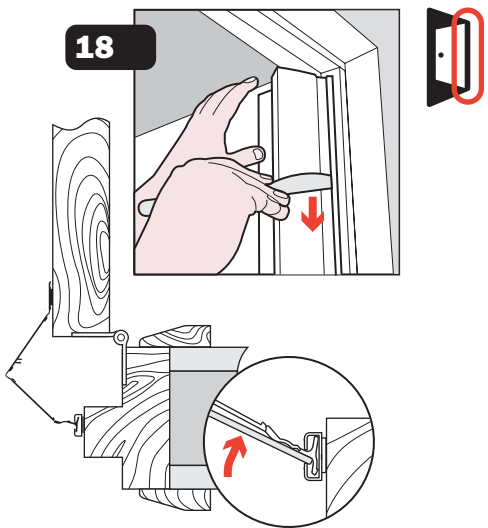
If you need to extend Finger Protector® to add one or more shield sections, do so before continuing with stage 10.

See 'A-F' overleaf.

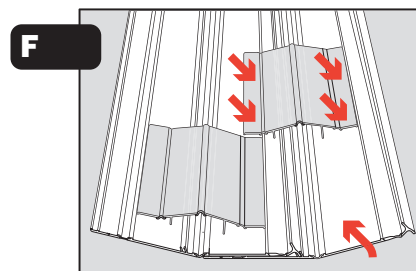
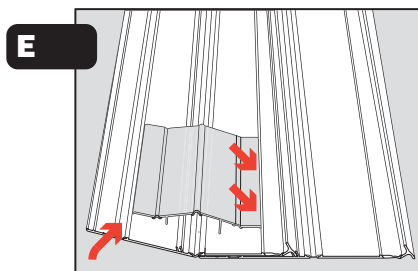
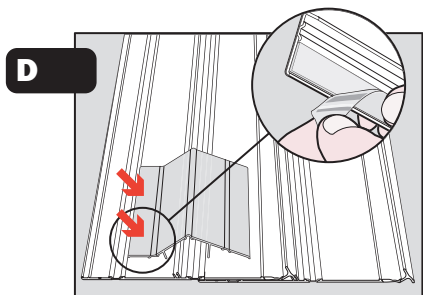
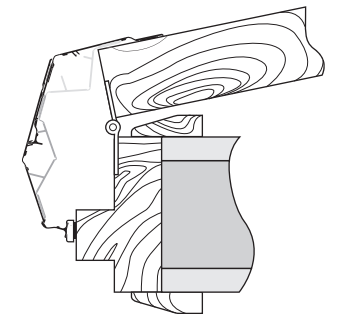
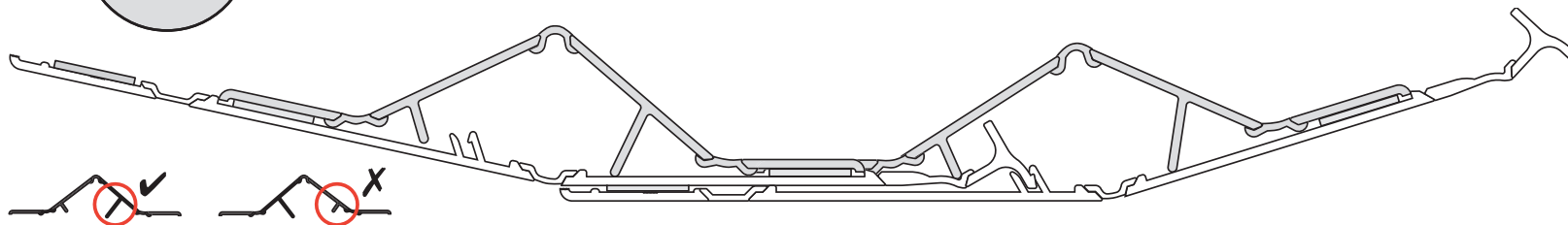
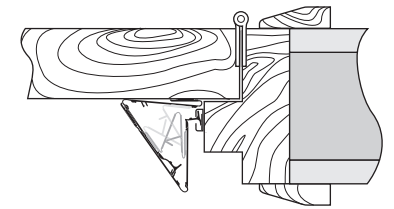
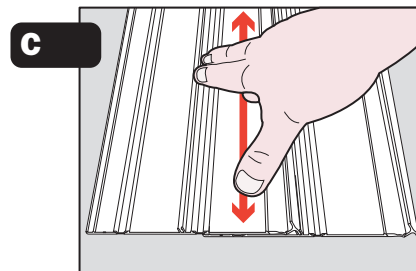
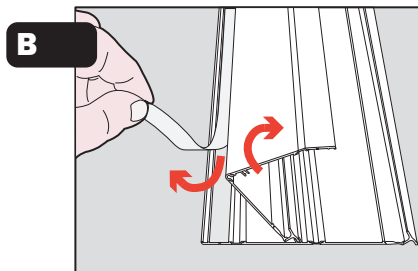
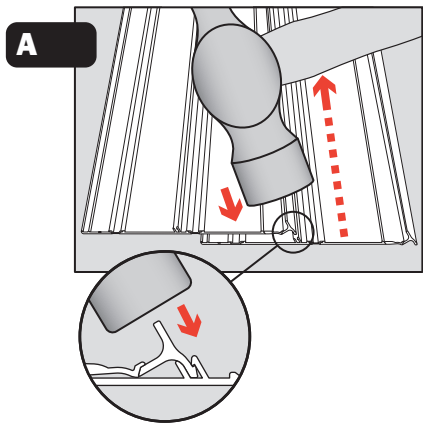




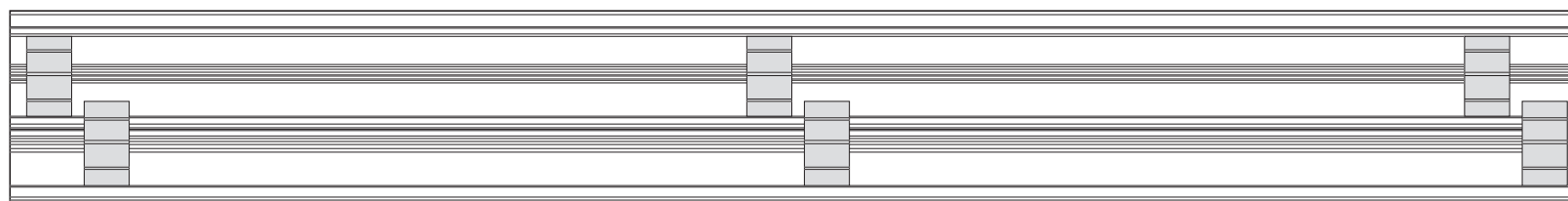
To temporarily detach shield for hinge cavity maintenance reverse stage 17 to 16 and slide knife downwards.



**Extending Finger Protector® shield section** for doors that open beyond the span of one shield section



[www.safetyassured.com](http://www.safetyassured.com)



**Safety Assured Limited**

Innovation House  
385 Chepstow Avenue  
Hornchurch, Essex  
RM12 6AU  
United Kingdom  
T: +44 (0)1708 855 777  
F: +44 (0)1708 855 125  
E: [info@fingerprotector.co.uk](mailto:info@fingerprotector.co.uk)