

DICTATOR Door Damper V 1600

For Interior, Exterior and Fire Protection Doors

The progressive breaking action of DICTATOR door checks gently and smoothly slows down the door, firmly pulls the door into the latch and reliably keeps the door closed.

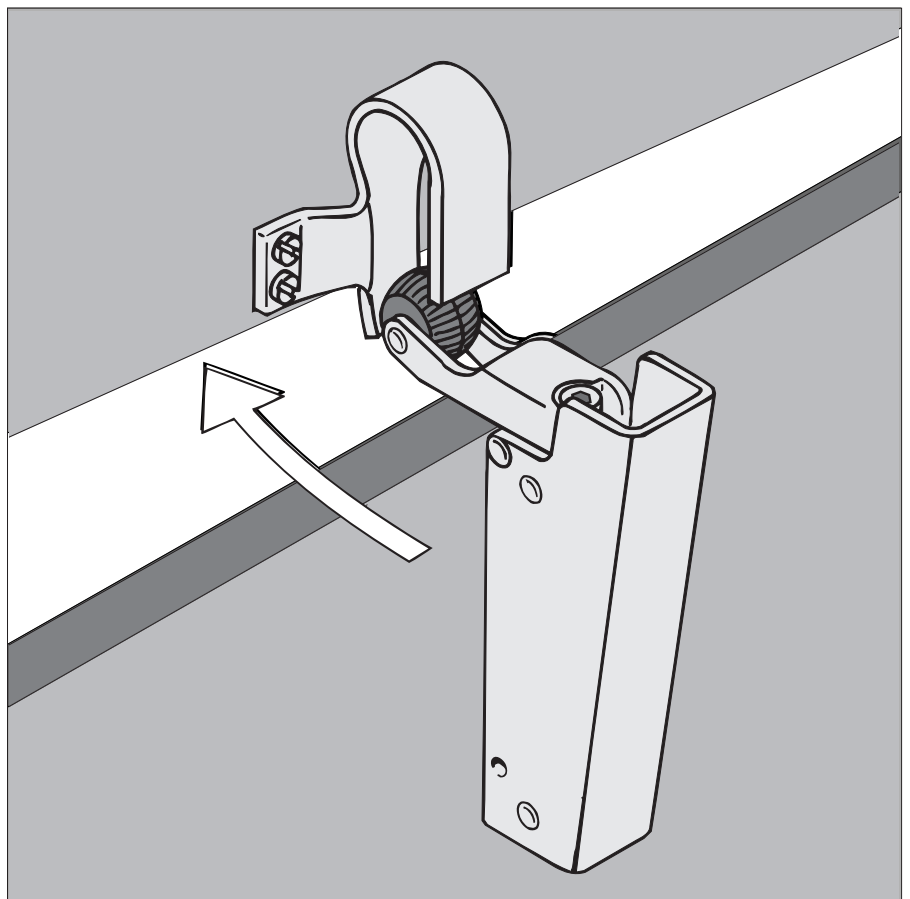
The comparatively small V 1600 is usually specified for interior and lighter exterior doors. The chrome plated case, concealed cylinder and invisible fixing combine to give an attractive design.

The V 1600 model without adjustment and with strong spring has been tested for use on fire-protection doors and has been issued test certificate no. P-12 0629 0 96 by the National Material Testing Office (MPA) in Dortmund, Germany. It specifies the use of a mounting plate (see next page).

A special feature is the easy fixing. An integrated patented mounting plate is screwed to the door and the body of the damper is simply hinged down and clipped into position.

The door damper is mounted on the face of the door towards the centre of the upper door member.

It is suitable for both left and right hand doors and for interior and exterior use. For installations outdoors or in humid environments the V 1600 is available in stainless steel.



Technical Data

Types of doors	overlapping, flush and recessed doors
Closing force	20, 50, 80 or 115 N (measured on the door damper)
Damping characteristics	progressive, adjustable closing speed
Damping fluid	silicone oil - almost independent of temperature
Components included	door damper, hook, screws
Material	steel or stainless steel (satin)
Finish (steel)	polished chrome; also satin, polished gold, colour coated
Recommended accessories	"Piccolo" or "Concealed Adjunct" closing spring

